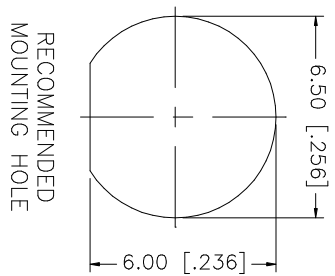
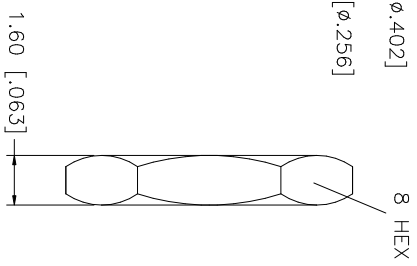
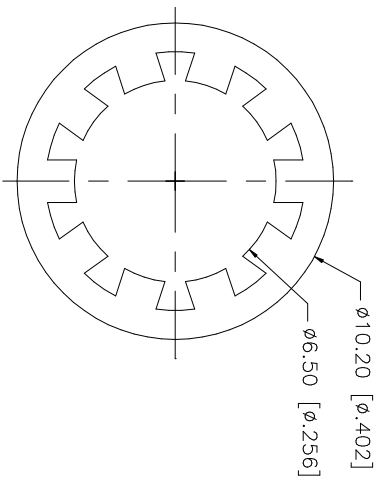
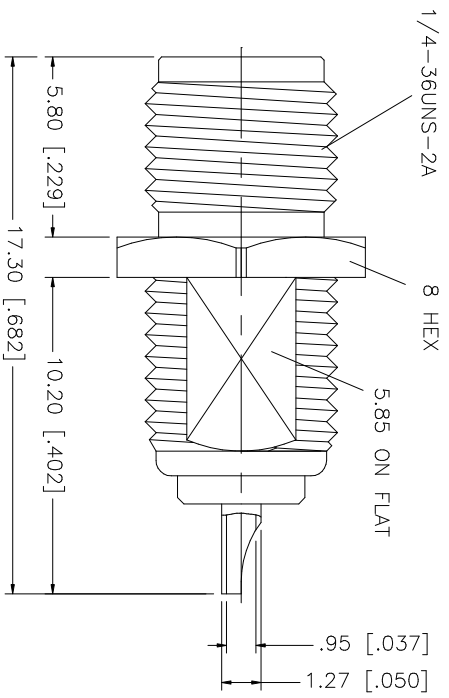


REV.	DATE	DESCRIPTION
A	11/26/03	UPDATE DRAWING FORMAT



NOTES:
 1. MAX. PANEL THICKNESS = 2.5mm

QTY	FINISH	MATERIAL	DESCRIPTION
1	GOLD	BRASS	HEX NUT
1	GOLD	BRASS	LOCK WASHER
1	GOLD	BER. COPPER	CONTACT PIN
1	NATURAL	TEFLON	INSULATOR
1	GOLD	BRASS	BODY

APPROVALS	DATE
G.R.S.	11/26/03

DO NOT SCALE DRAWING
UNLESS OTHERWISE SPECIFIED DIMENSIONS ARE IN MILLIMETERS. DIMENSIONS IN [] ARE IN INCHES AND FOR CUSTOMER REFERENCE ONLY. TOLERANCES FOR MILLIMETERS ARE: 0.5 - 8mm ± 0.20mm 8 - 30mm ± 0.40mm 30 - 120mm ± 0.50mm UNLESS OTHERWISE SPECIFIED TOLERANCES FOR INCHES ARE: .020 - .315 = ± 0.007" .315 - 1.180 = ± 0.015" 1.180 - 4.724 = ± 0.020"

CAD FILE	DWG. NO.	REV.	SIZE	SCALE
C:/132/132137.DWG	132137.DWG	A	A	NA

PART DESCRIPTION	PART NO.
SMA BULKHEAD RECEPT. JACK	132137